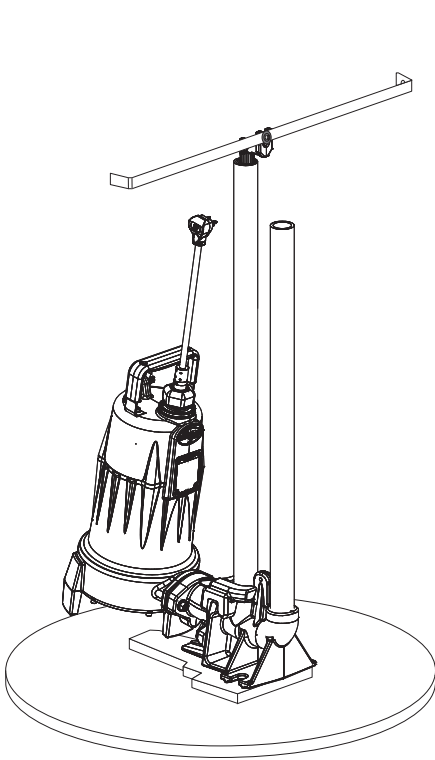
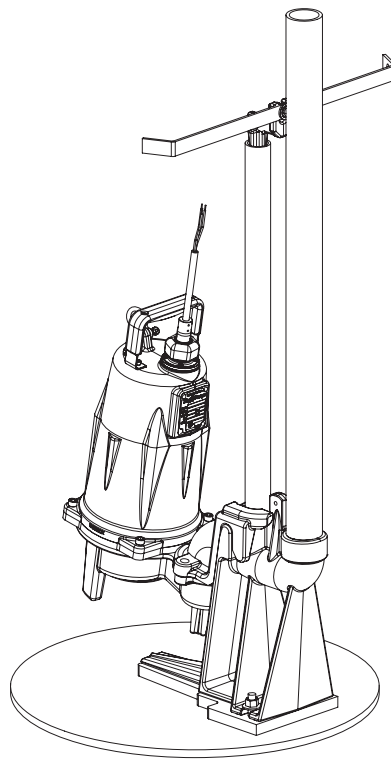


Product Specification

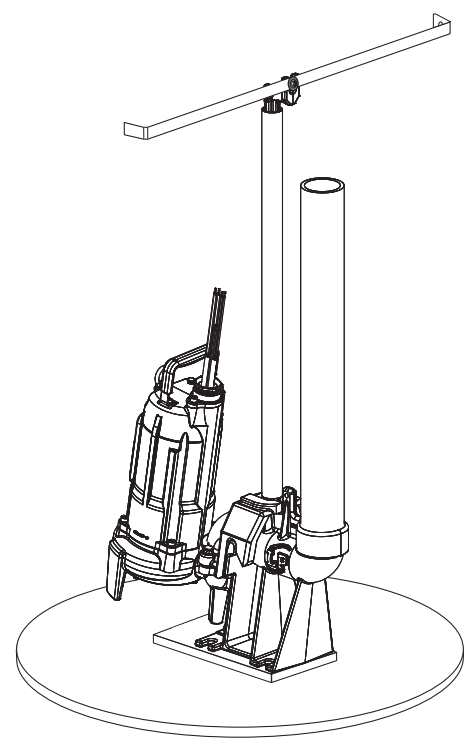
GR20, GR22, & GR30-Series Guide Rail Systems



GR20-Series
1-1/4" Discharge



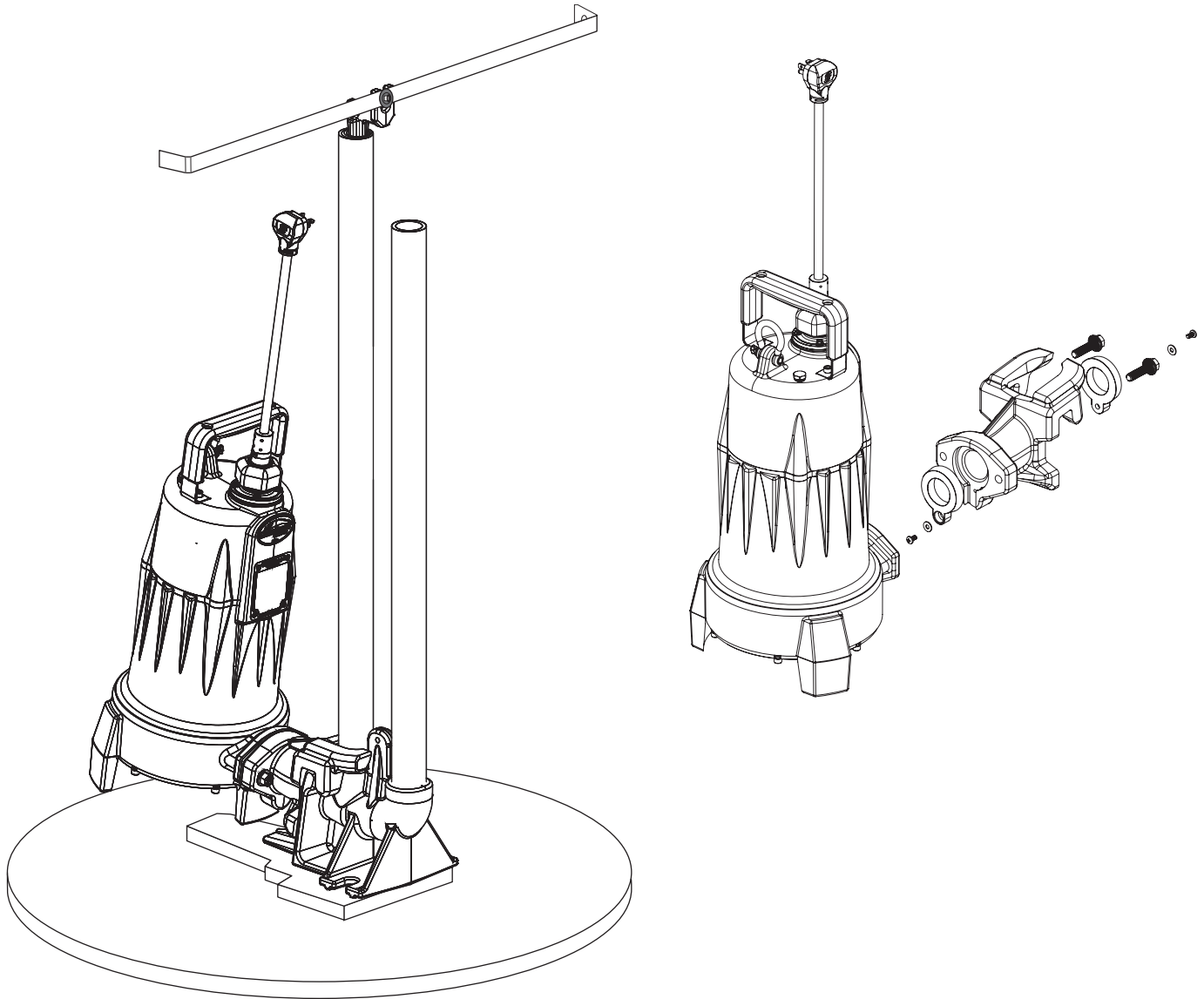
GR22-Series
2" Discharge



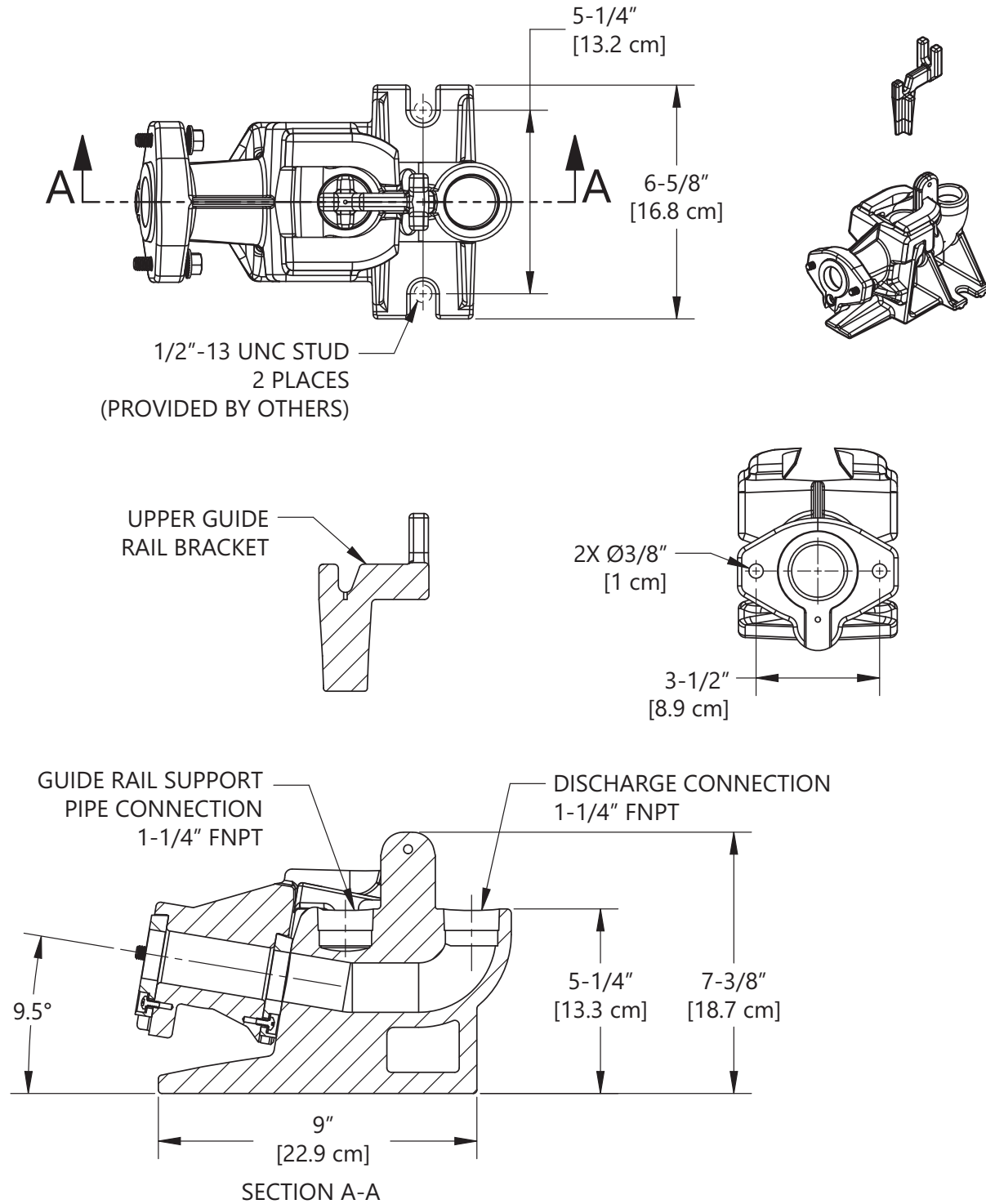
GR30-Series
3" Discharge

GR20-Series

1-1/4" Discharge Guide Rail System



GR20-Series Dimensional Data



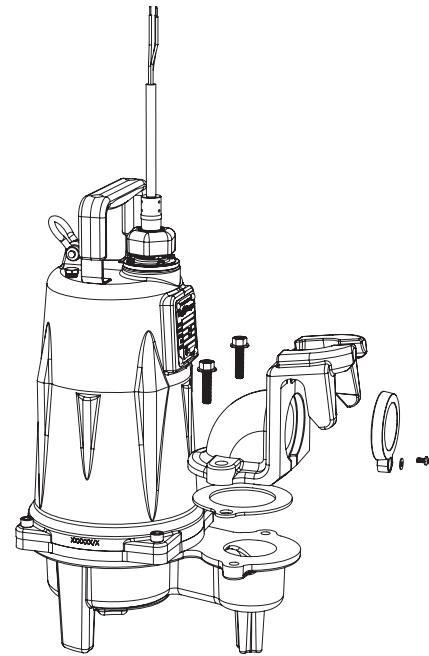
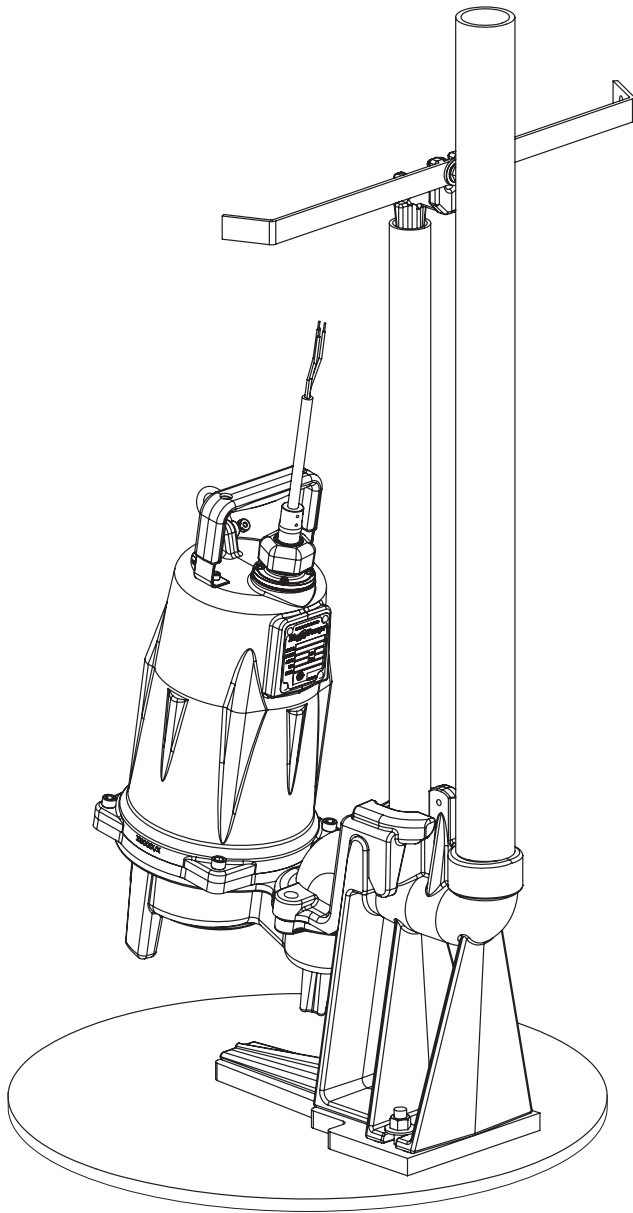
MODEL	WEIGHT
GR20	28 LB.
GR20NS	30 LB.

GR20-Series Technical Data

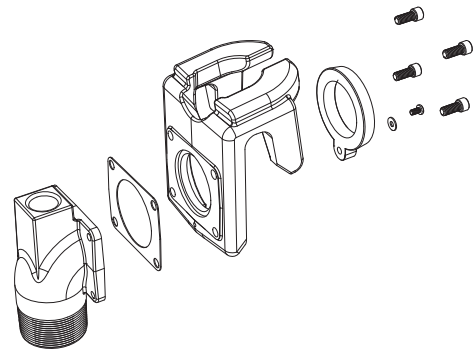
MODEL	GR20-SERIES FOR STANDARD APPLICATIONS	GR20NS-SERIES FOR HAZARDOUS LOCATIONS
GUIDE RAIL BASE	CLASS 25 GRAY CAST IRON	CLASS 25 GRAY CAST IRON
DISCONNECT	CLASS 25 GRAY CAST IRON	BRONZE
GUIDE RAIL	ACCEPTS STANDARD 1-1/4" NPT PIPE (pipe not included)	ACCEPTS STANDARD 1-1/4" NPT PIPE (pipe not included)
DISCHARGE PIPE	ACCEPTS STANDARD 1-1/4" NPT PIPE (pipe not included)	ACCEPTS STANDARD 1-1/4" NPT PIPE (pipe not included)
PAINT	POWDER COAT	POWDER COAT (except disconnect)
HARDWARE	STAINLESS STEEL	STAINLESS STEEL
SEALING GROMMET	BUNA-N	BUNA-N
PUMP INTERFACE	FITS ALL LIBERTY PUMPS 2 AND 2.5 HP GRINDER PUMPS	FITS ALL LIBERTY PUMPS 2 AND 2.5 HP GRINDER PUMPS
MAXIMUM PUMP WEIGHT	113 KG / 250 LBS	113 KG / 250 LBS

GR22-Series

2" Discharge Guide Rail System

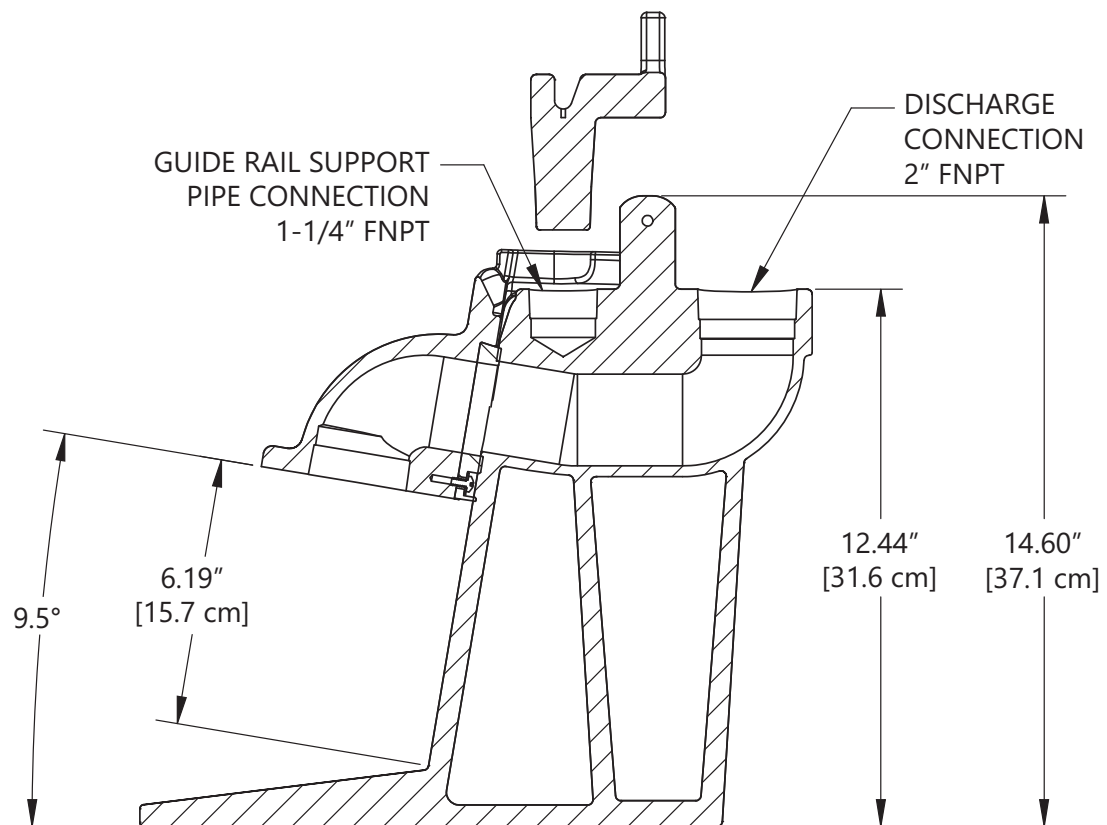
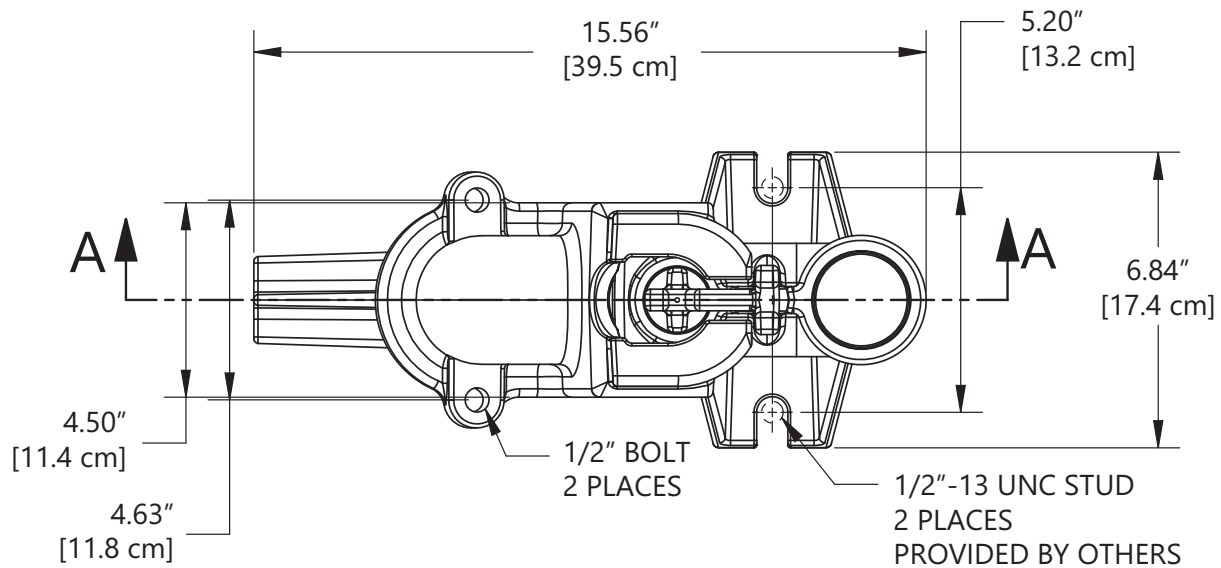


The GR22-LE and GR22-FL have a flanged claw that mounts directly to pump. They also have a 2" FNPT threaded port for optional nipple connection.



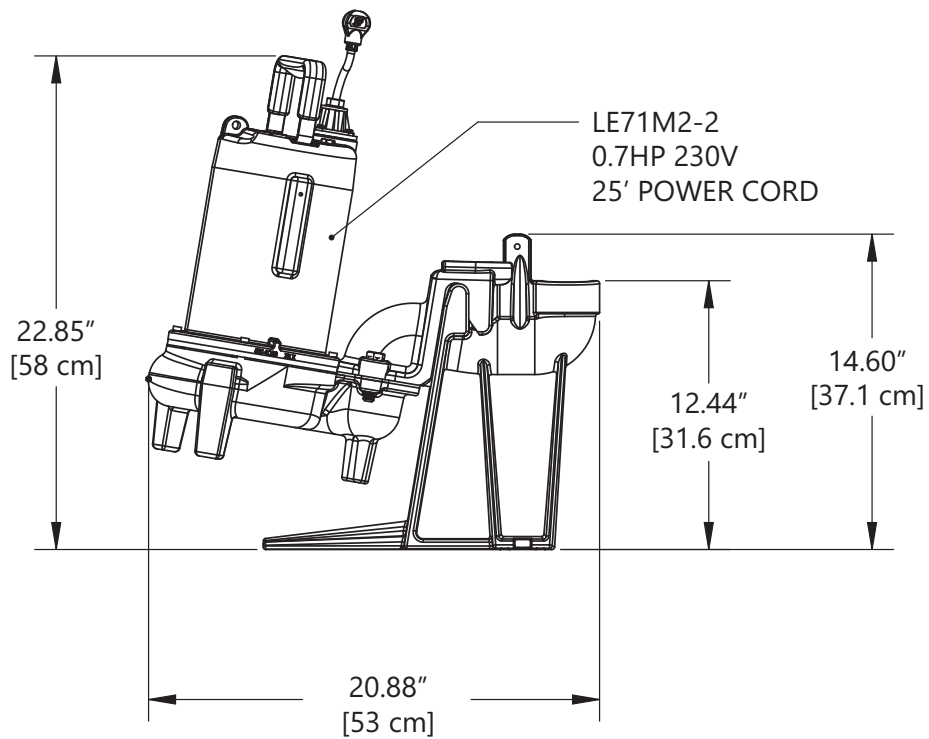
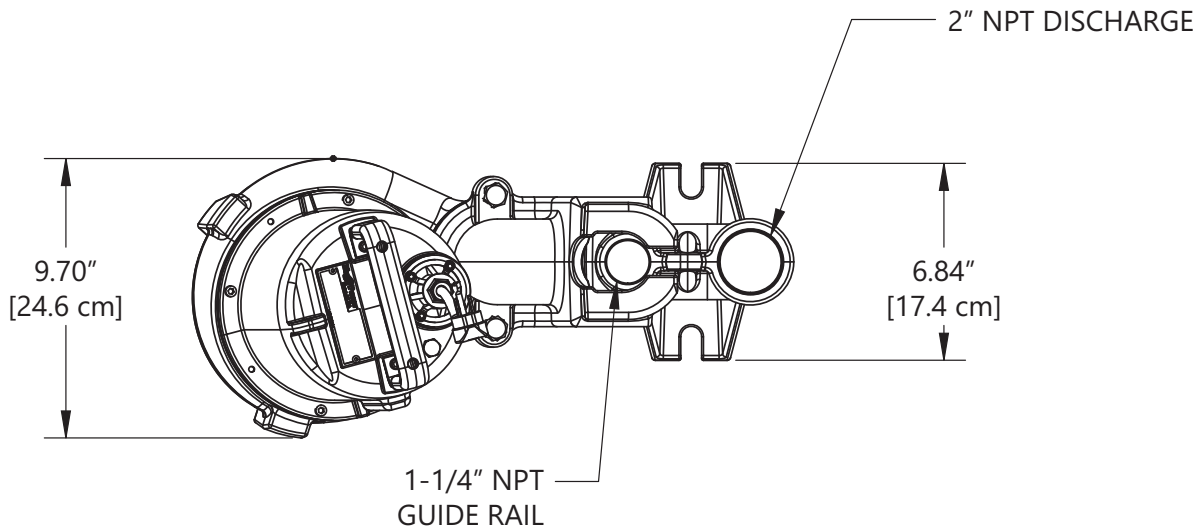
The GR22-S has a 2" FNPT detachable threaded nipple.

GR22-LE-Series Dimensional Data

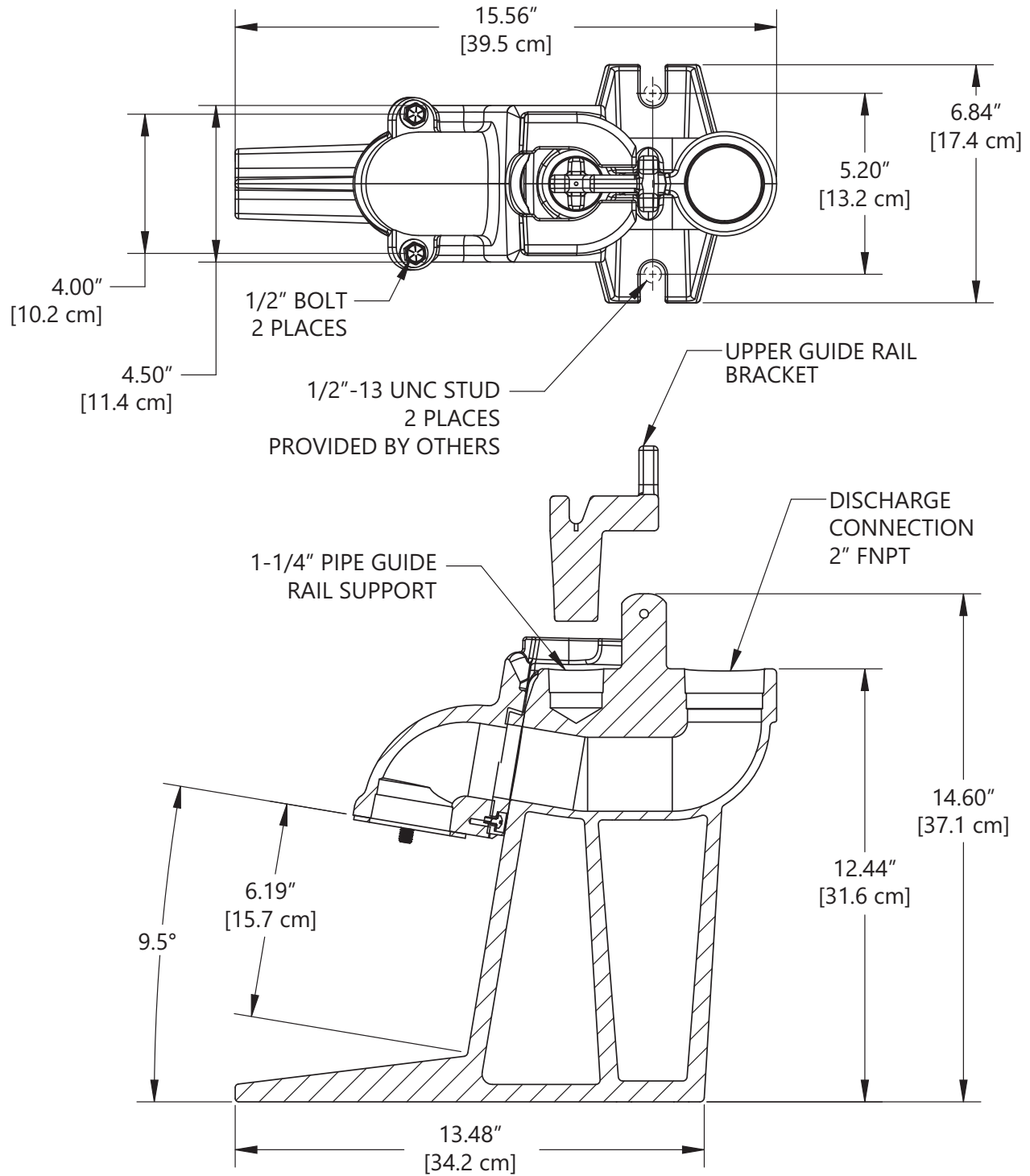


MODEL	WEIGHT
GR22-LE	39 LBS
GR22NS-LE	41 LBS

GR22-LE-Series Dimensional Data



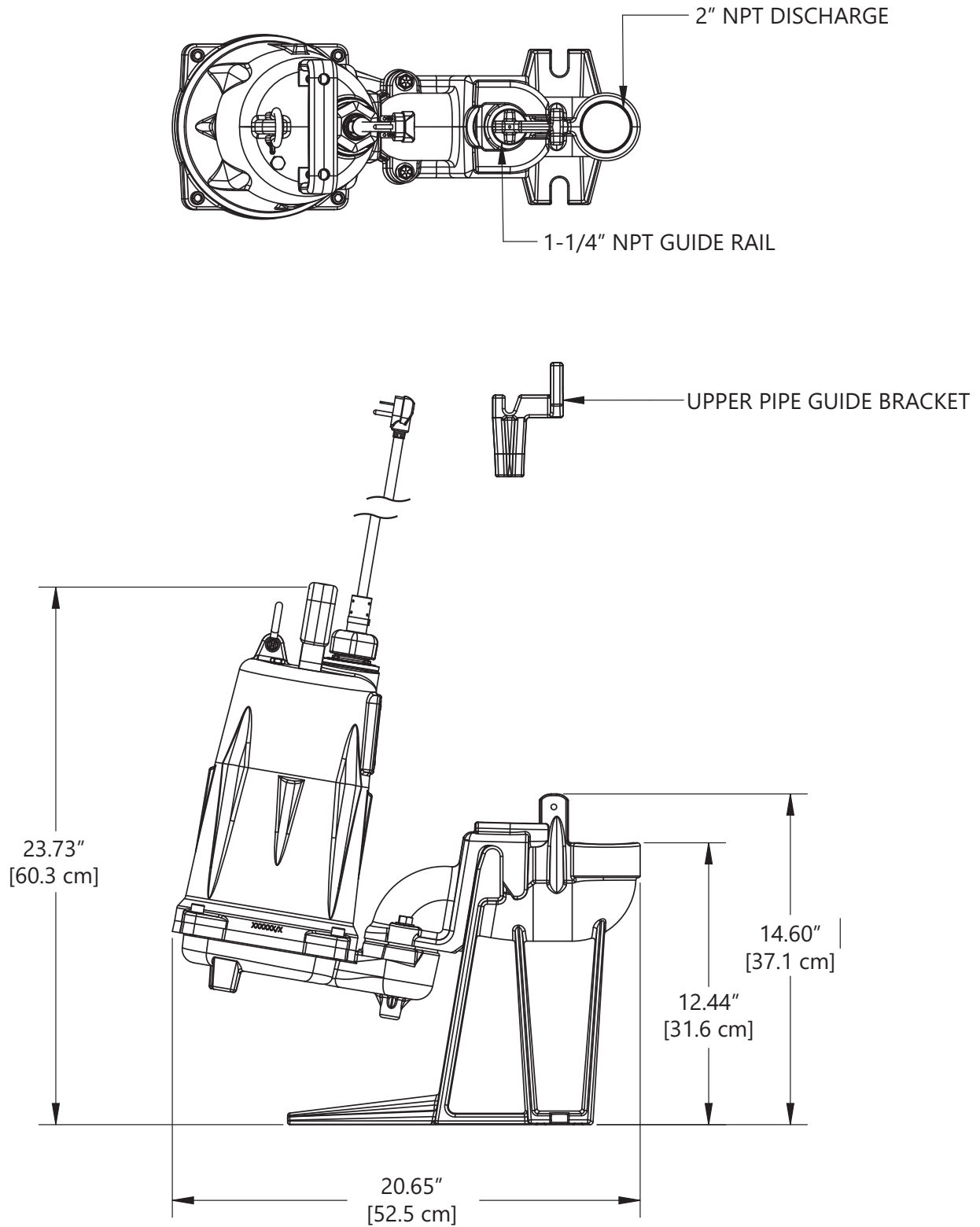
GR22-FL-Series Dimensional Data



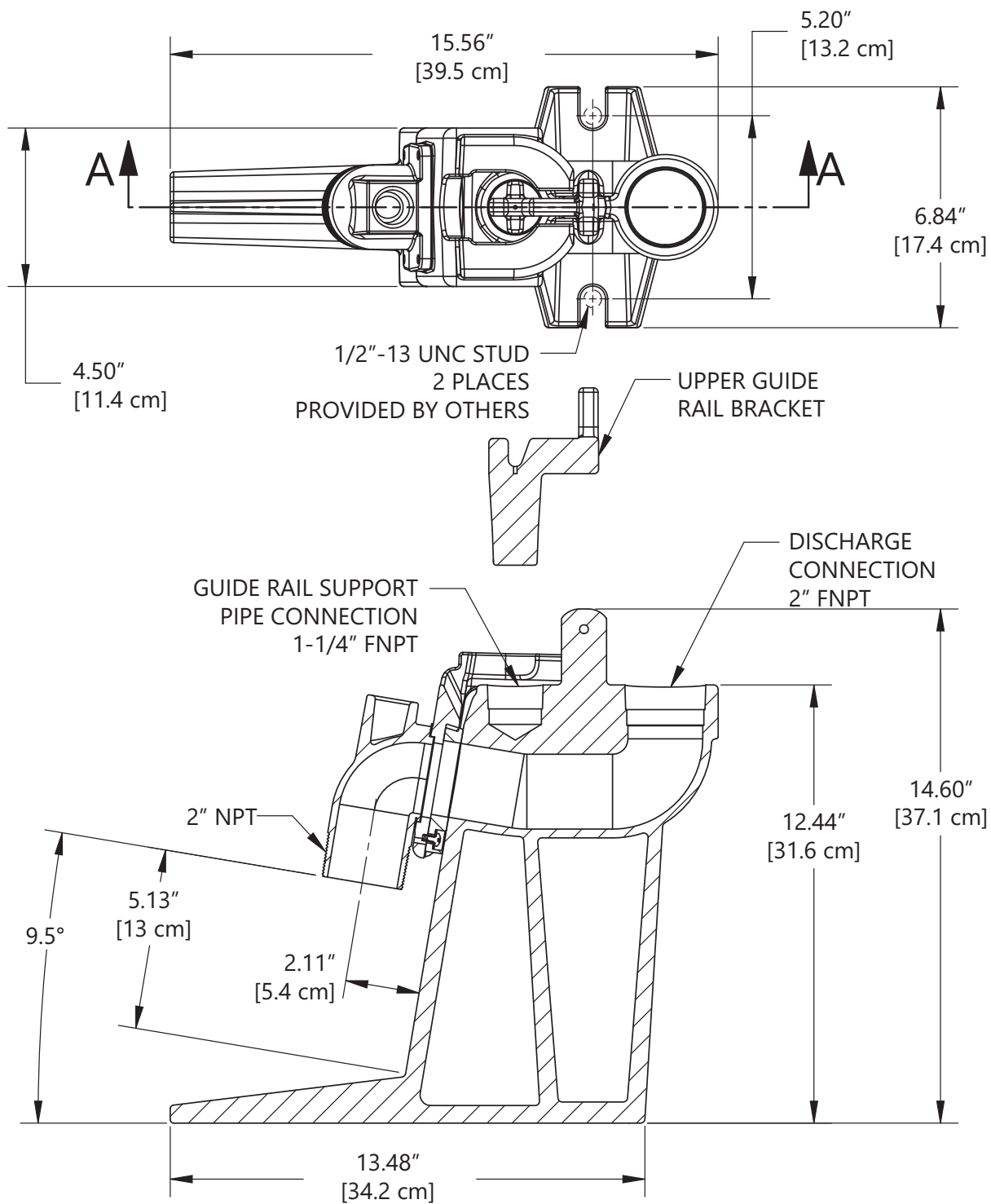
SECTION A-A

MODEL	WEIGHT
GR22-FL	38 LBS
GR22NS-FL	40 LBS

GR22-FL-Series Dimensional Data



GR22-S-Series Dimensional Data



SECTION A-A

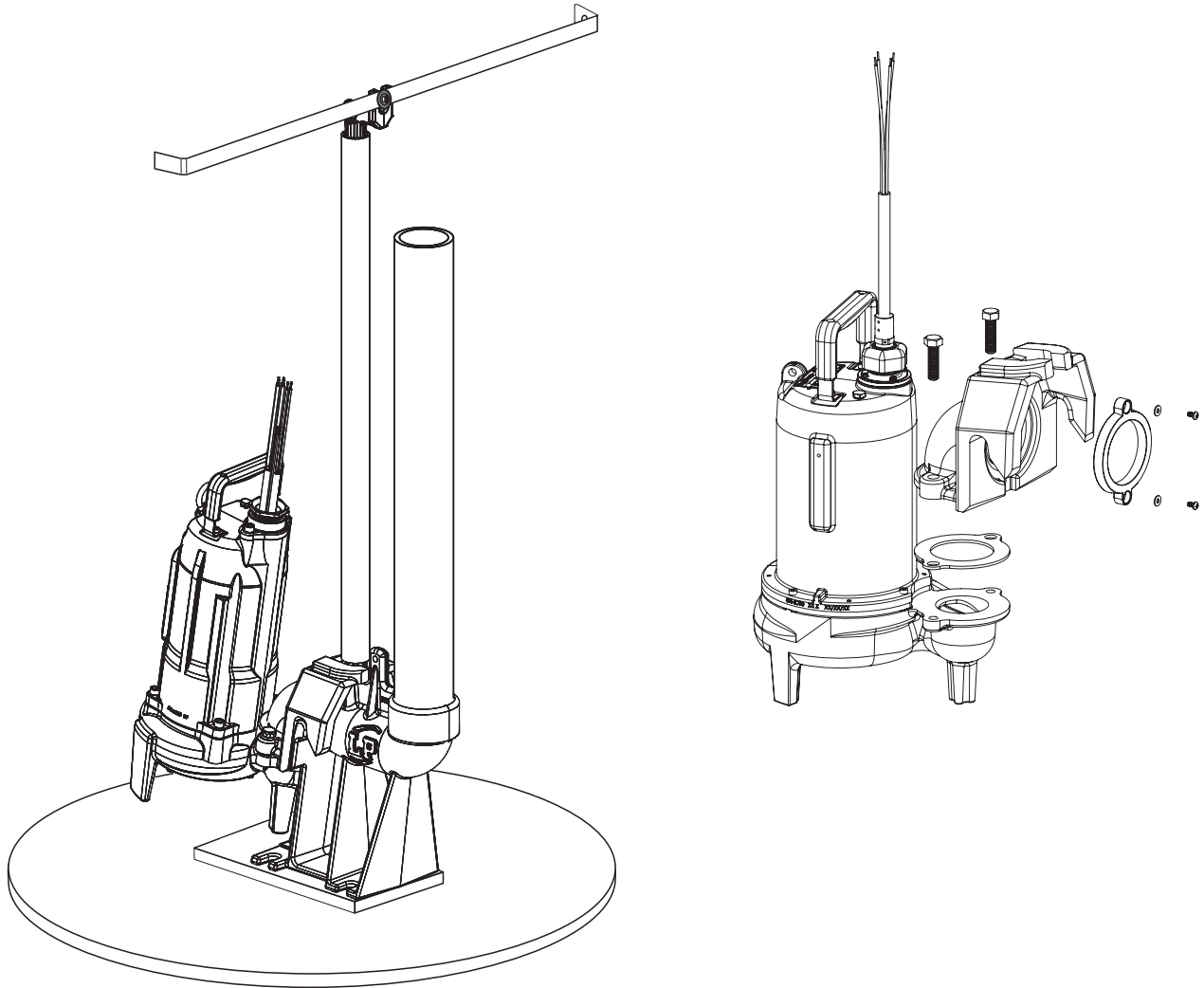
WEIGHT: 36 LBS

GR22-Series Technical Data

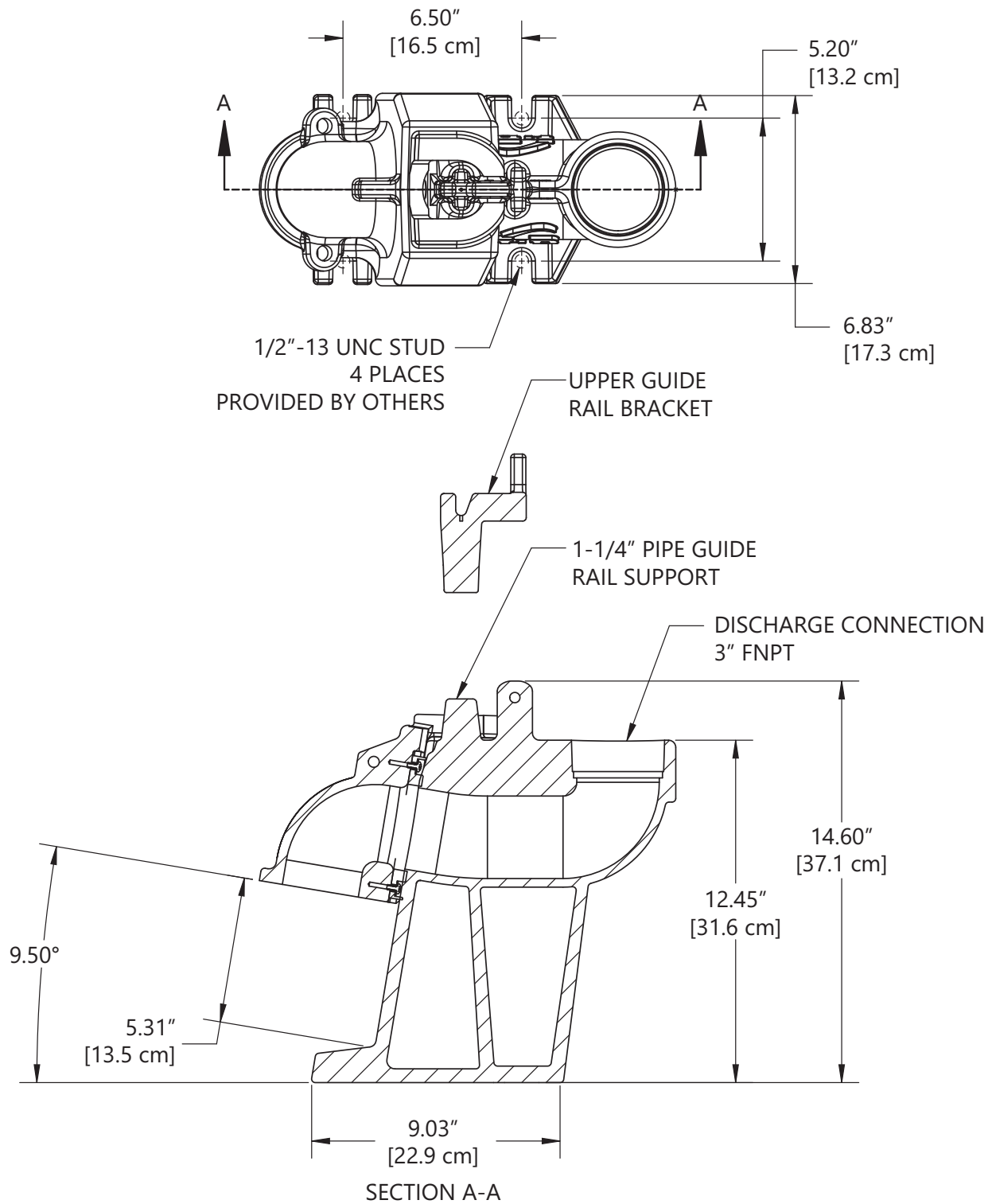
MODEL	GR22-SERIES FOR STANDARD APPLICATIONS	GR22NS-SERIES FOR HAZARDOUS LOCATIONS
GUIDE RAIL BASE	CLASS 25 GRAY CAST IRON	CLASS 25 GRAY CAST IRON
DISCONNECT	CLASS 25 GRAY CAST IRON	BRONZE
GUIDE RAIL	ACCEPTS STANDARD 1-1/4" NPT PIPE (pipe not included)	ACCEPTS STANDARD 1-1/4" NPT PIPE (pipe not included)
DISCHARGE PIPE	ACCEPTS STANDARD 2" NPT PIPE (pipe not included)	ACCEPTS STANDARD 2" NPT PIPE (pipe not included)
PAINT	POWDER COAT	POWDER COAT (except disconnect)
HARDWARE	STAINLESS STEEL	STAINLESS STEEL
SEALING GROMMET	BUNA-N	BUNA-N
PUMP INTERFACE	GR22-FL: FITS FL50, FL60, FLH60, FL70, FL100, FL150, AND FL200-SERIES PUMPS, PLUS 2" FEMALE THREADS ALLOW USE WITH OTHER PUMPS.	GR22NS-FL: FITS XFL50, XFL70, XFL100, AND XFL150-SERIES PUMPS, PLUS 2" FEMALE THREADS ALLOW USE WITH OTHER PUMPS.
	GR22-LE: FITS LE70, LE100, LEH100, LEH150 AND LEH200-SERIES PUMPS, PLUS 2" FEMALE THREADS ALLOW USE WITH OTHER PUMPS.	GR22NS-LE: FITS XLE50, XLE70, XLE100, AND XLE150-SERIES PUMPS, PLUS 2" FEMALE THREADS ALLOW USE WITH OTHER PUMPS.
	GR22-S: FITS LE40 AND LE50 SERIES, AND PRG-SERIES; THE DETACHABLE THREADED NIPPLE ALLOWS THIS RAIL TO BE USED WITH ALMOST ANY PUMP WITH A 2" NPT THREADED DISCHARGE.	N/A
MAXIMUM PUMP WEIGHT	113 KG / 250 LBS	113 KG / 250 LBS

GR30-Series

3" Discharge Guide Rail System



GR30-Series Dimensional Data



MODEL	WEIGHT
GR30	60 LBS
GR30NS	64 LBS

GR30-Series Technical Data

MODEL	GR30 FOR STANDARD APPLICATIONS	GR30NS FOR HAZARDOUS LOCATIONS
GUIDE RAIL BASE	CLASS 25 GRAY CAST IRON	CLASS 25 GRAY CAST IRON
DISCONNECT	CLASS 25 GRAY CAST IRON	BRONZE
GUIDE RAIL	ACCEPTS STANDARD 1-1/4" NPT PIPE (pipe not included)	ACCEPTS STANDARD 1-1/4" NPT PIPE (pipe not included)
DISCHARGE PIPE	ACCEPTS STANDARD 3" NPT PIPE (pipe not included)	ACCEPTS STANDARD 3" NPT PIPE (pipe not included)
PAINT	POWDER COAT	POWDER COAT (except disconnect)
HARDWARE	STAINLESS STEEL	STAINLESS STEEL
SEALING GROMMET	BUNA-N	BUNA-N
PUMP INTERFACE	FITS LE70, LE100, LEH100, LEH150 AND LEH200-SERIES PUMPS, PLUS 3" FEMALE THREADS ALLOW USE WITH OTHER PUMPS	FITS XLE50, XLE70, XLE100, AND XLE150-SERIES PUMPS, PLUS 3" FEMALE THREADS ALLOW USE WITH OTHER PUMPS
MAXIMUM PUMP WEIGHT	113 KG / 250 LBS	113 KG / 250 LBS